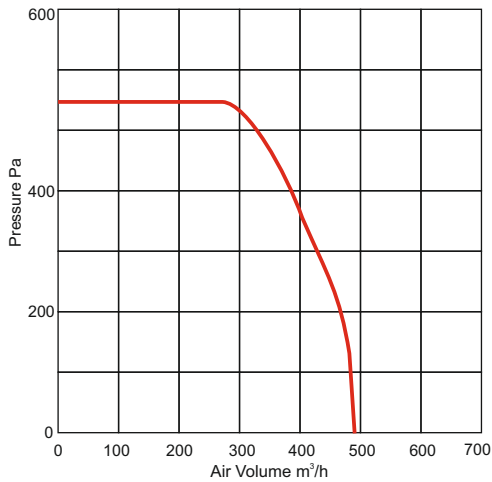


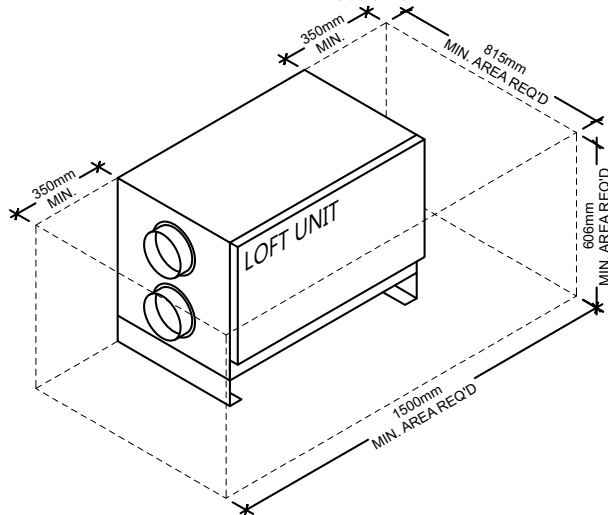
# Regavent 600R Central Unit

## Performance Curve



## Features

- Capable of delivering up to 130 l/s of air volume. (Suitable for houses of up to 370m<sup>2</sup>)
- 160mm Duct connections.
- Low power consumption EC motors.
- Acoustically lined and complete with anti-vibration mounting bracket to provide virtually silent operation.
- Supplied with built in humidistat controller. Automatically boosts air flow to remove excess moisture from the atmosphere.
- Durable galvanised steel construction
- Manufactured in the UK.
- Can be fitted with a summer bypass unit to provide automatic summer operation.
- Pollen filters available.

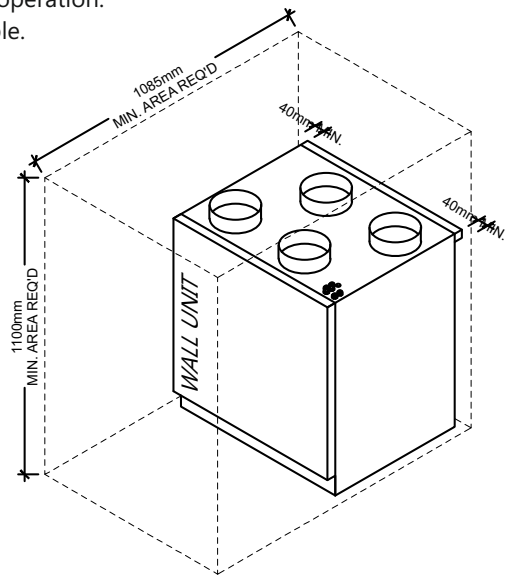


### Technical Spec

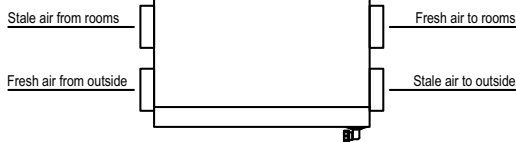
Air Volume Max.	500m <sup>3</sup> /h
Air Volume Min.	70m <sup>3</sup> /h
Voltage	230/240v AC
Avg. Power Usage	200 watts
Avg. Current Draw	0.87 amp
Weight	35KG
Sound From 1m	35-40dB

### Dimensions

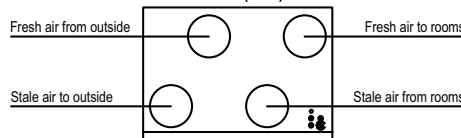
- Loft: 511(h)x800(w)x545(d)mm
- Wall: 715(h)x600(w)x545(d)mm



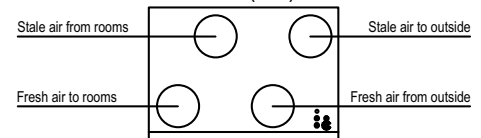
### Loft Unit



### Wall Unit (LH)



### Wall Unit (RH)



## Unit Efficiency

600R	Kitchen + 1 additional wet room	Kitchen + 2 additional wet rooms	Kitchen + 3 additional wet rooms	Kitchen + 4 additional wet rooms	Kitchen + 5 additional wet rooms	Kitchen + 6 additional wet rooms	Kitchen + 7 additional wet rooms
Specific Fan power (w/l/s)	-	-	-	0.51	0.58	0.68	0.79
Efficiency	-	-	-	90	90	89	89

...for a fresher, healthier, home



Rega Ventilation Limited

21/22 Eldon Way, Biggleswade, Beds SG18 8NH

fax: 01767 600487 email: sales@rega-uk.com

Call us on **01767 600499** or visit **www.regavent.co.uk**

